



EDGE-60R AutoID UHF Reader 9 dBi

The Edge-60R AutoID is an UHF RFID reader which operates according to Anatel specifications, with a frequency of 902-907 MHz, 915-928 MHz. Perfect for vehicular identification applications, especially for having the main communication protocols used in most controller boards, and sending through TCP/IP communication with RQL-compatible commands, used in other readers of the AutoID System. Appropriate for outdoors, the EDGE-60R reader is sturdy and has the IP66 protection grade as its main feature.

Purchase Code:

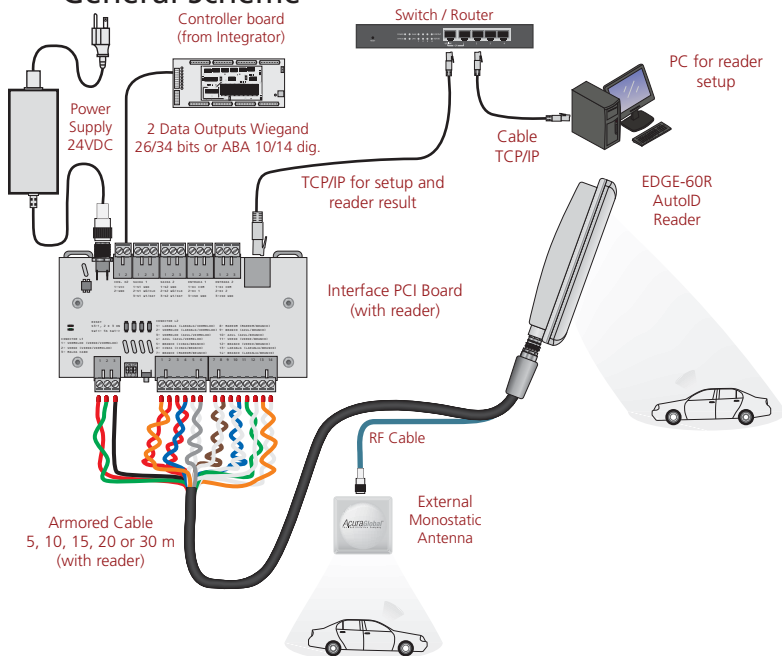
- Cable 05 m - See more
- Cable 10 m - See more
- Cable 15 m - See more
- Cable 20 m - See more
- Cable 30 m - 100.239

• Features

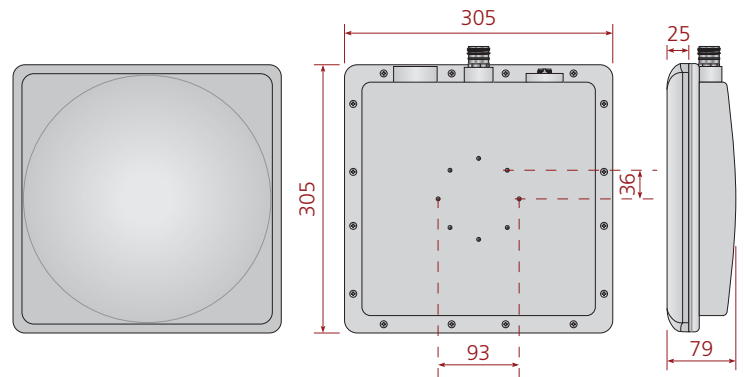
- Sturdy reader with IP66 protection grade;
- Use of monostatic antennas in 6 dBi, 9 dBi and 12.5 dBi gain variations;
- Embedded linear 9 dBi antenna;
- Great reading performance with 1W power for antennas with gain higher than 12.5 dBi;
- Power configuration for each antenna;
- Wiegand 26/34 bits, ABA Track 10/14 characters (configuráveis a partir da página html) e TCP/IP interfaces;
- Reading result in TCP/IP compatible with RQL responses from other readers of the AutoID system;
- Initial configurations through an HTML page. No software installation necessary;

- ID sent through Wiegand or ABA Track interface and, simultaneously sent by TCP/IP interface;
- Configurations must be done through the PCI interface which must work with the reader;
- The interface which must work with the reader unlocks the reset button which makes the reader go back to factory settings, in case the IP is forgotten, for example;
- Digital inputs (dry and wet contacts) used for Trigger mode, for reading start with configurable time;
- Two configurable reading modes (Continuous and Trigger), without need to send commands;
- Real time protection system against antenna connection / disconnection.

• General Scheme



• Dimensions [mm]



Only armored cable bundled with reader.