



Purchase Code: 500.065

AcuMifare CLAM 1K

The card AcuMifare 1K Clamshell card is the best solution for applications for greater security in data transmission. It has 1Kbyte memory and triple encryption, ideal for monetary transactions. It is sturdy, has good read performance and has a slot for use as badge.

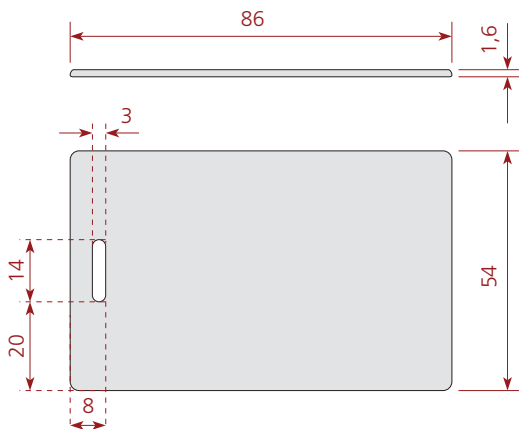
• Features

The AcuMifare 1K Clamshell Passive RFID Card is part of the Clamshell Line of the AcuMifare format allowing reading and writing. It has slot for use as a badge and follows the standard ISO / IEC 14443 Type A format. This card 1Kbyte memory and operates at a frequency of 13.56 MHz, compatible with AcuMifare readers. Made of PVC, the AcuMifare 1K Clamshell card is tough and has excellent reading performance. It also allows printing on the blade.

• Advantages

- Greater security in data transmission;
- 1 Kbyte triple encryption memory;
- Durable, ideal for use as a badge;
- Compatible with the AcuMifare family of readers.

• Dimensions [mm]



• Technical Specifications

Electrical Characteristics

Technology	HF - (High Frequency / passive)
Type	Clamshell
Protocol	ISO/IEC 14443-A
Frequency of Operation	13,56 MHz
Chip RFID	NXP-MF1ICS50 or compatible
Memory Configuration	1 kByte
Reading Range*	Up to 3,5 cm with Reader AM-08 Up to 6 cm with Reader AM-11
Applications	Tickets / Access Control / Identification
Lifetime**	10 years data retention 100,000 write cycles

Operational Characteristics

Encapsulation	PVC matte white (blade) and ABS (shell)
Weight	9 g
Dimensions	86 x 54 x 1,6 mm
Operating Temperature	-25°C to +75°C
Storage Temperature	-25°C to +75°C
Degree of Protection	IP66
Hole	Yes

* Please consider powering reader with a regulated and stabilized 12V DC power source. Installation in an environment without electromagnetic noise and without the presence of metal surfaces near the reader will produce the best results.

** Within specifications.