



Purchase Code: 500.530

AcuSmart Clamshell

The AcuSmart Clamshell Card is the best solution for applications where higher security is required in data transmission. Have 1Kbyte memory and triple encryption, ideal for monetary transactions. It's tough, has good read performance and has to be used as hole badge.

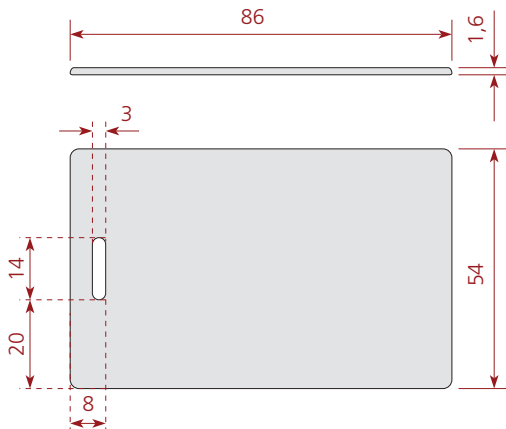
• Features

The proximity card is a AcuSmart Clamshell Passive RFID Card AcuSmart Line in Clamshell format allows reading and writing. Have hole to be used as a badge. Follows the standard ISO / IEC 14443 Type A. It has 1Kbyte memory and operates at a frequency of 13.56 MHz, Compatible with readers AcuSmart line. Made in PVC, AcuSmart Clamshell is tough and has excellent reading performance. Allows printing on the blade.

• Advantages

- Increased security in data transmission;
- 1 Kbyte of memory and triple encryption;
- Resistant, ideal for use as a badge;
- Compatible with AcuSmart readers family.

• Dimensions [mm]



• Technical Specifications

Electrical Characteristics

Technology	HF (high-frequency / passive)
Type	Clamshell
Protocol	ISO/IEC 14443-A
Frequency of operation	13,56 MHz
RFID Chip	NXP-MF1ICS50 or compatible
Memory configuration	1 kByte
Reading Range*	Up to 5 cm with the reader AS-10
Applications	Tickets / Access Control / Identification
Lifetime**	10 years data retention 100.000 write cycles

Operational Characteristics

Encapsulation	White matte PVC (blade) and ABS (shell)
Weight	9 g
Dimensions	86 x 54 x 1,6 mm
Operating temperature	-25°C a +75°C
Storage temperature	-25°C a +75°C
Protection Degree	IP66
Hole	Yes

* Considering stabilized and regulated power source for 12V DC, installation electromagnetic noise-free environment and without the presence of metal surfaces near the reader.

** Respecting the specifications.