



Purchase Code: 500.534

AcuSmart Combo Clamshell

The AcuSmart Clamshell Card Combo is the best solution for applications where higher security is required in data transmission. Own memory and 1 Kbyte triple encryption, ideal for monetary transactions. It's tough, has good read performance and has to be used as hole badge.

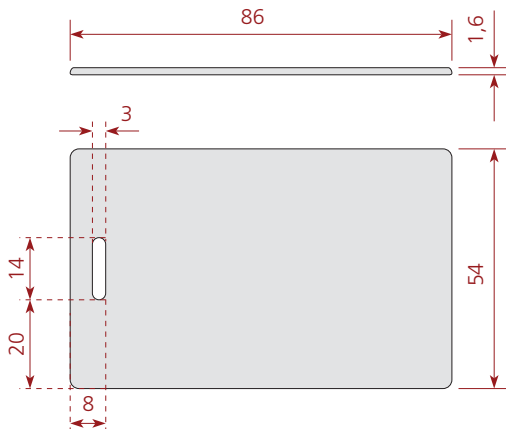
• Features

The proximity card AcuSmart Combo is a passive RFID Clamshell Card AcuSmart Line in Clamshell format allows reading and writing. Have hole to be used as a badge. Follows the standard ISO / IEC 14443 Type A. It has 1Kbyte memory and operates at a frequency of 13.56 MHz, compatible with readers AcuSmart line. Made in PVC, AcuSmart Clamshell Combo is tough and has excellent reading performance. Allows printing on the blade.

• Advantages

- Increased security in data transmission;
- 1 Kbyte of memory and triple encryption;
- Resistant, ideal for use as a badge;
- Compatible with AcuSmart readers family.

• Dimensions [mm]



• Technical Specifications

Electrical Characteristics

Technology	HF (high-frequency / passive)
Type	Clamshell
Protocol	ISO/IEC 14443-A
Frequency of operation	13,56 MHz
RFID Chip	NXP-MF1ICS50 or compatible
Memory configuration	1 kByte
Reading Range*	Up to 5 cm with the reader AS-10
Applications	Tickets / Access Control / Identification
Lifetime**	10 years data retention 100.000 write cycles

Operational Characteristics

Encapsulation	White matte PVC (blade) and ABS (shell)
Weight	9 g
Dimensions	86 x 54 x 1,6 mm
Operating temperature	-25°C a +75°C
Storage temperature	-25°C a +75°C
Protection Degree	IP66
Hole	Yes

* Considering stabilized and regulated power source for 12V DC, installation electromagnetic noise-free environment and without the presence of metal surfaces near the reader.

** Respecting the specifications.